

G301-1590 Full Extension Slide (Bracket Mount)

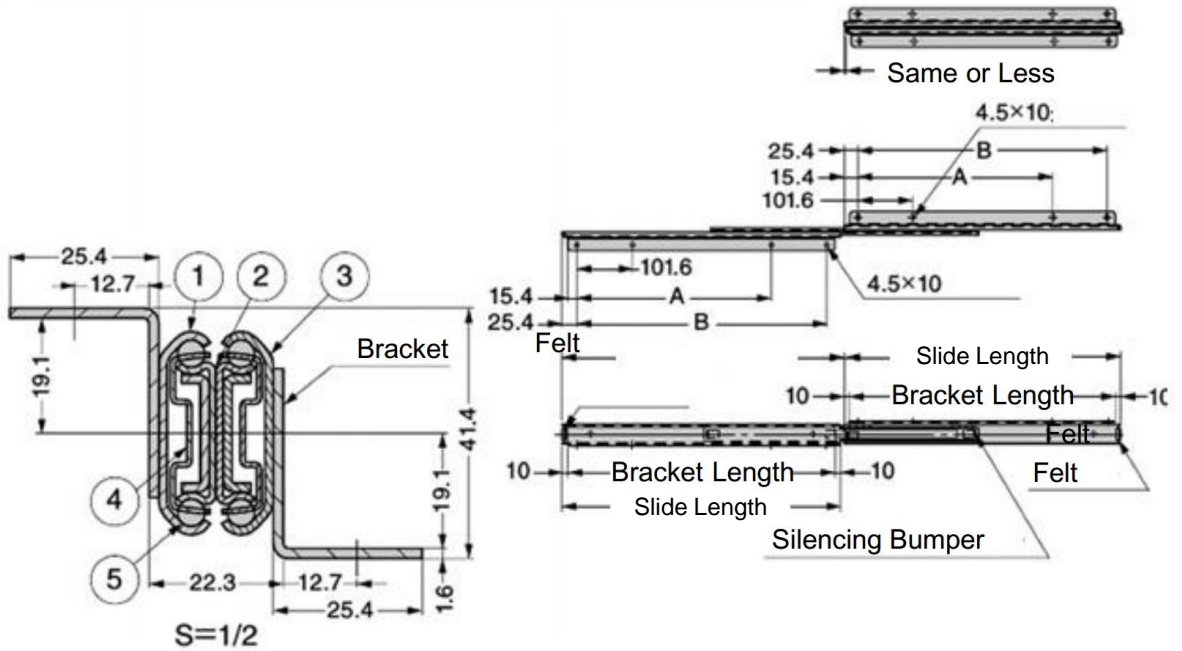
Max load 63 kg · Bracket mount

Features

- Full extension, 3 members slide
- Bracket attached on both inner and outer member

Recommended Screws

- M4 binding or M4 truss screw



No.	Part Name	Material	Finish/Colour
①	Outer Member	Steel (SPCC)	Clear Zinc Chromate (Trivalent)
②	Middle Member		
③	Inner Member		
④	Retainer	Steel (SECC)	(Zinc Plating)
⑤	Steel Balls	Steel (SWCH)	-

Sold by piece

Part No.	Slide Length	Travel Length	Bracket Length	A	B	Load Capacity (per pair)	
C301-1590-12	305	327	284.8	152.4	254	618 N	63 kg
C301-1590-14	356	377	335.6	203.2	304.8	598 N	61 kg
C301-1590-16	406	429	386.4	254	355.6	579 N	59 kg
C301-1590-18	457	480	437.2	304.8	406.4	549 N	56 kg
C301-1590-20	508	530	488	355.6	457.2	530 N	54 kg
C301-1590-22	559	581	538.8	406.4	508	490 N	50 kg
C301-1590-24	610	632	589.6	457.2	558.8	451 N	46 kg
C301-1590-26	660	683	640.4	508	609.6	422 N	43 kg
C301-1590-28	711	733	691.2	558.8	660.4	373 N	38 kg